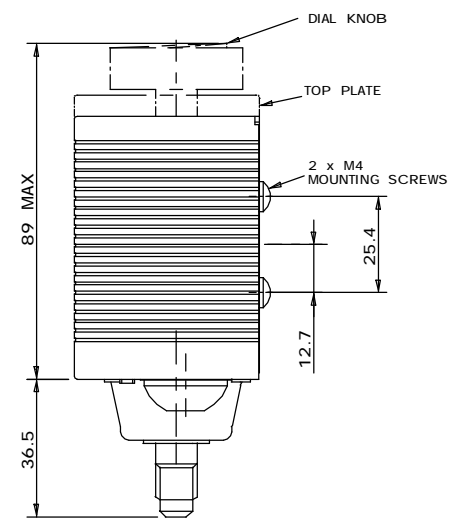
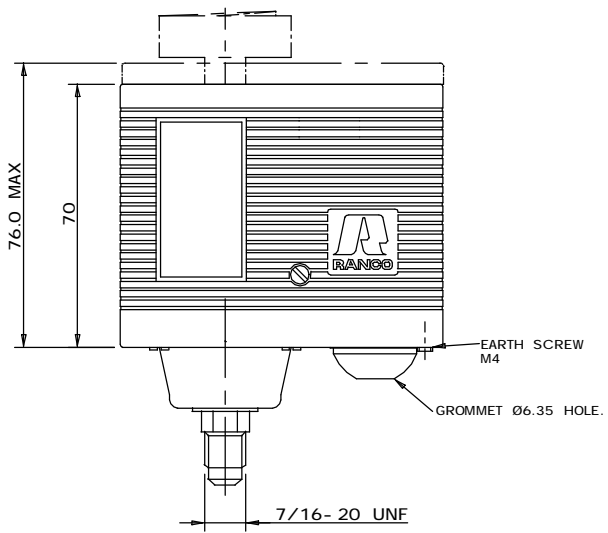
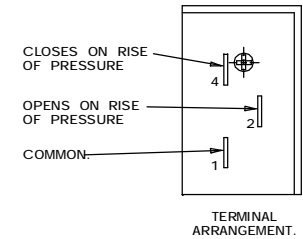


TOP PLATE OMITTED FROM THIS VIEW.



FINISH:				
MAT. SPEC:				
MAT. DESCRIPTION:				
DRN	ENG	CHK	REV DATE	REV

REVISIONS				
D.E.W.	B.J.K.		02/09/03	
REVISED TO USE CURRENT FORMAT, APPROVAL REVISED THIS: V.D.E. SWITCH RATING WAS "16(16) / 250V -" FOLLOWING AUTHORITIES & ASSOCIATED RATINGS DELETED: NEMKO, SEV, DEMKO, SEMKO & FEL.				
				C

NOTES:  
 THE LAST DIGIT OF CATALOGUE DASH NO. INDICATES THE FOLLOWING PACKING ITEMS e.g. 016Hxxxx- 101 - 1=TOP COVER UNASSEMBLED.

- TOP PLATE UNASSEMBLED.
- DIAL KNOB ASSEMBLED.
- MTG. BRACKET 31696- 1 UNASSEMBLED.
- MTG. BRACKET 48129- 3 UNASSEMBLED.
- MTG. BRKT 31696- 1 + TOP PLATE UNASSEMBLED.
- MTG. BRKT 48129- 3 +TOP PLATE UNASSEMBLED.
- MTG. BRACKET 31696- 1 UNASSEMBLED + DIAL KNOB ASSEMBLED.
- MTG. BRACKET 48129- 3 UNASSEMBLED + DIAL KNOB ASSEMBLED.

NOTE: -  
 MAX. STATIONARY PRESSURE OF CONTROL 290 P.S.I. (20 BAR).

IT IS NOT ALLOWED TO REPRODUCE OR GIVE THIS DRAWING TO ANY PERSONS OR COMPANY WITHOUT WRITTEN PERMISSION FROM INVENSYS.

ALL DIM IN MILLIMETRES ALL TOL IN MICRONS

DIMENSIONS WITHOUT TOLERANCE

0 - 6: +/100 >18 - 50: +/200 >6-18: +/150 > 50: +/250

Invensys

APPROVALS.	
AUTHORITY	SWITCH RATING.
V.D.E.	1- 2 = 16(16) A 250V-
	1- 4 = 1(1) A 250V-
OR	
	1- 4 = 16(16) A 250V-
	1- 2 = 1(1) A 250V-

PART NO.	USED ON	DRN: DEW
SCALE:		ENG: BJK
1 : 1	DO NOT SCALE	CHK:
TITLE: OUTLINE		
DIMENSION DRAWING		
TYPE O16 LOW PRESSURE CONTROL		
DWG. SIZE	DEV. NO.	
A2	DWG. NO. 6410001	SHEET OF 1

O16- H6703	3.5±0.15	50.8±2.0	4.2±0.15	60.8±2.0	0.7±0.4	10.0±4.0	- 0.3 TO 7.0	10in Hg. TO 100	1 & 4
CODE NO	BAR G	PSI G	BAR G	PSI G	BAR G	PSI G	BAR G	PSI G	USE TERMINALS
	OUT		IN		DIFF		RANGE		
CUSTOMER SETTING TOLERANCES									