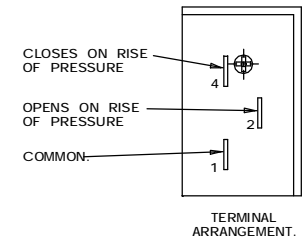
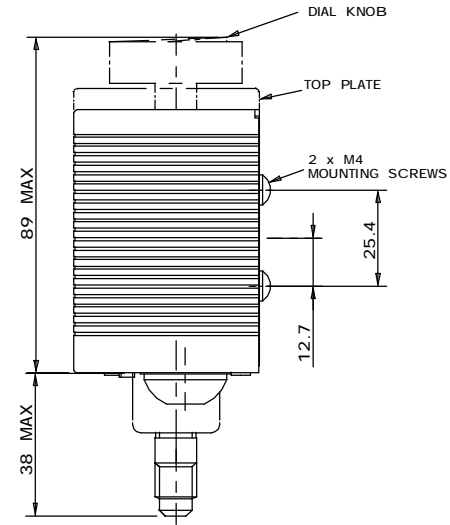
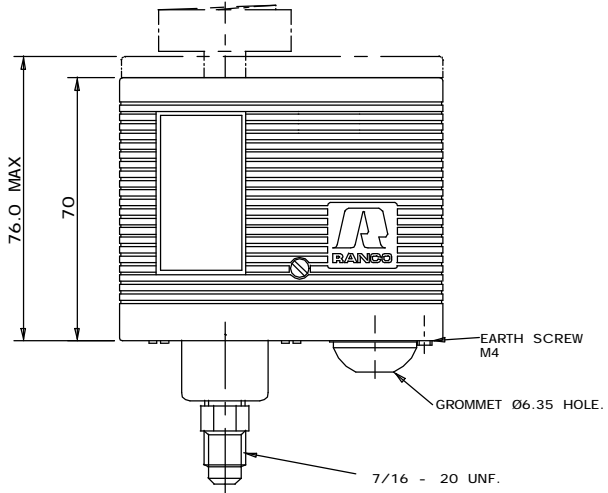


TOP PLATE OMITTED FROM THIS VIEW.



TERMINAL ARRANGEMENT.



FINISH:				
MAT. SPEC:				
MAT. DESCRIPTION:				
DRN	ENG	CHK	REV DATE	REV

REVISIONS				
D.E.W.	B.J.K.		02/09/03	
REVISED TO USE CURRENT FORMAT, APPROVAL REVISED THUS: V.D.E. SWITCH RATING WAS "16(16) / 250V -". FOLLOWING AUTHORITIES & ASSOCIATED RATINGS DELETED: NEMKO, SEV, DEMKO, SEMKO & FEL.				H

NOTES:
THE LAST DIGIT OF CATALOGUE DASH NO. INDICATES THE FOLLOWING PACKING ITEMS e.g. 016Hxxxx- 101 - 1=TOP COVER UNASSEMBLED.

- TOP PLATE UNASSEMBLED.
- DIAL KNOB ASSEMBLED.
- MTG. BRACKET 31696- 1 UNASSEMBLED.
- MTG. BRACKET 48129- 3 UNASSEMBLED.
- MTG. BRKT 31696- 1 + TOP PLATE UNASSEMBLED.
- MTG. BRKT 48129- 3 +TOP PLATE UNASSEMBLED.
- MTG. BRACKET 31696- 1 UNASSEMBLED + DIAL KNOB ASSEMBLED.
- MTG. BRACKET 48129- 3 UNASSEMBLED + DIAL KNOB ASSEMBLED.

NOTE:-
MAX. STATIONARY PRESSURE OF CONTROL 510 P.S.I. (35 BAR).

	IT IS NOT ALLOWED TO REPRODUCE OR GIVE THIS DRAWING TO ANY PERSONS OR COMPANY WITHOUT WRITTEN PERMISSION FROM INVENSYS.
	ALL DIM IN MILLIMETRES ALL TOL IN MICRONS
	DIMENSIONS WITHOUT TOLERANCE
	0 - 6: +/100 >18 - 50: +/200 >6-18: +/150 > 50: +/250
	$\Delta \pm 2^\circ$

APPROVALS.	
AUTHORITY	SWITCH RATING.
V.D.E.	1- 2 = 16(16) A 250V-
	1- 4 = 1(1) A 250V-
	OR
	1- 4 = 16(16) A 250V-
	1- 2 = 1(1) A 250V-
PART NO.	
SCALE:	
1 : 1	DO NOT SCALE
TITLE:	
OUTLINE	
DIMENSION DRAWING	
TYPE O16 HIGH PRESSURE CONTROL	
DWG. SIZE	DEV. NO.
A2	2301020
	SHEET OF 1

USED ON	DRN: DEW
	ENG: BJK
	CHK:

O16- H6750	13.7±0.14	200±2	9.7 REF	140 REF	4.2±0.3	60±5	7 TO 30	100 TO 435	1 & 2
CODE	BAR G	PSI G	BAR G	PSI G	BAR G	PSI G	BAR G	PSI G	USE
NO	OUT		IN		DIFF		RANGE		TERMINALS
CUSTOMER SETTING TOLERANCES									